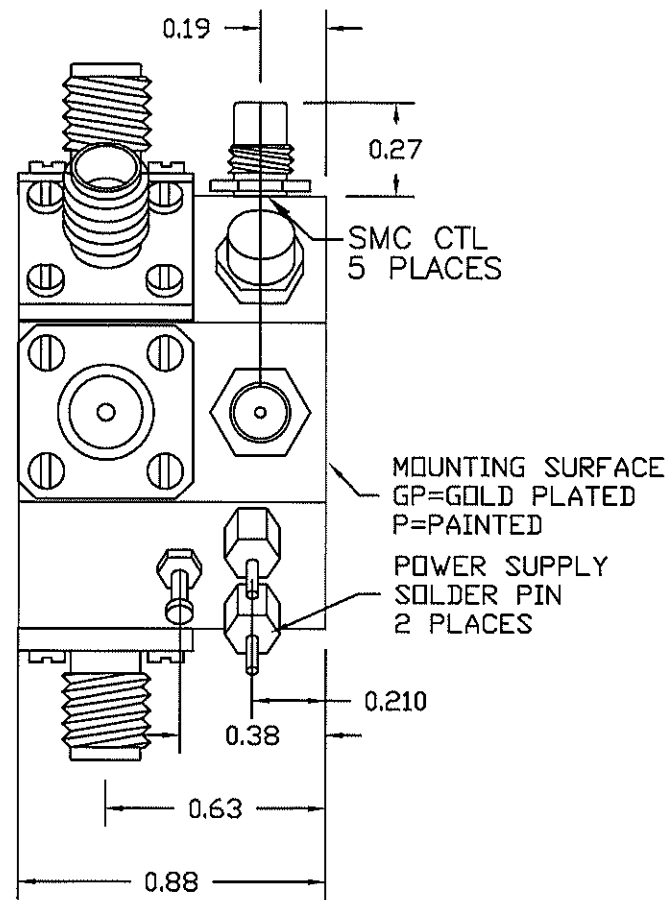
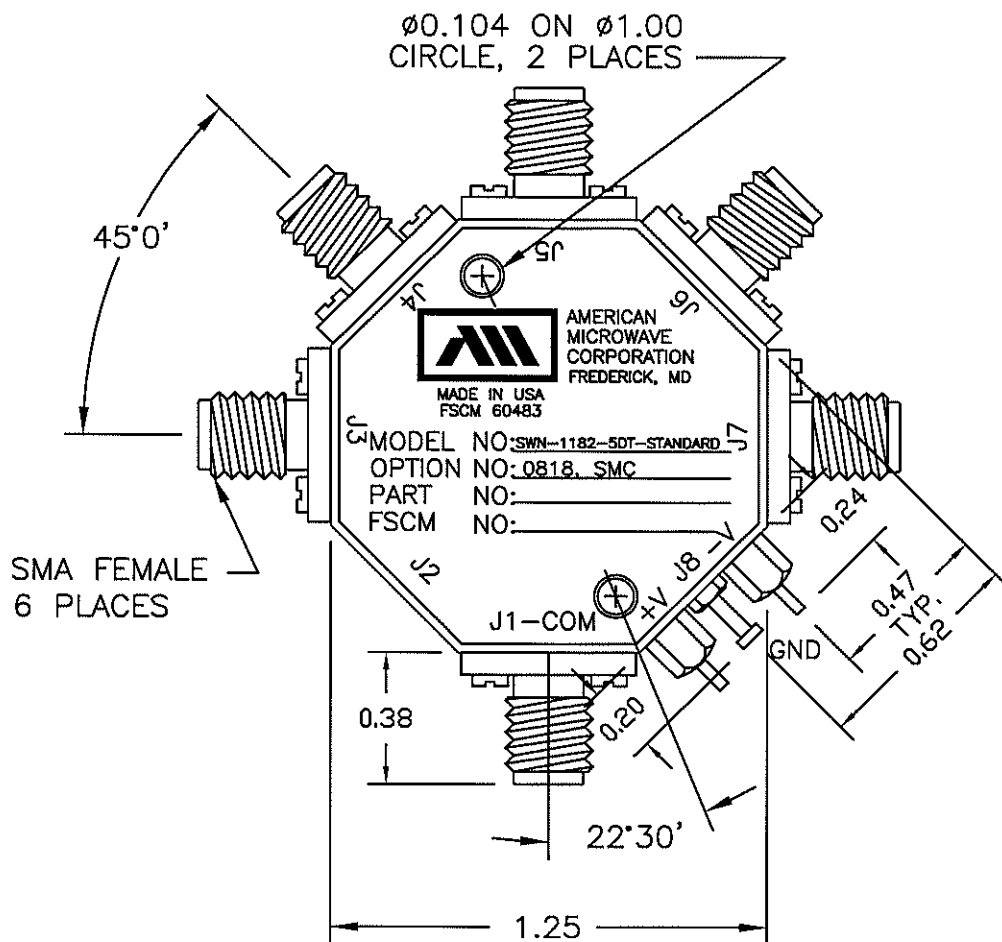



DESCRIPTION:

AMC MODEL SWN-1182-5DT-STANDARD OPTION 0818 & SMC IS A SINGLE POLE FIVE THROW SWITCH WITH SMA CONNECTORS AND SMC CONTROL CONNECTORS. IT HAS A FREQUENCY RANGE OF 0.8 TO 18GHZ, 4.0dB MAXIMUM INSERTION LOSS, AND 70dB ISOLATION MINIMUM @ 18GHZ.

MECHANICAL OUTLINE



ALL DIMENSIONS ARE IN INCHES
 TOLERANCES:
 X.XX ±0.020
 X.XXX ±0.010

			
AMERICAN MICROWAVE CORPORATION FREDERICK, MARYLAND			
TITLE		PRODUCT FEATURE	
		SWN-1182-5DT-STANDARD OPTION 0818, SMC NON-REFLECTIVE/ABSORPTIVE RADIAL SOLID STATE SWITCH	
SIZE	FSCM NO.	DWG NO.	REV.
A	60483	100-4183-3	-
SCALE	N/S	SHEET	2 OF 3

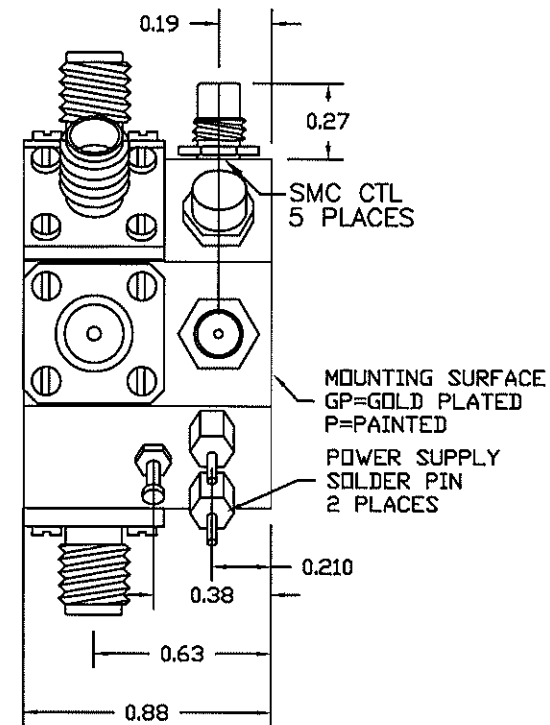
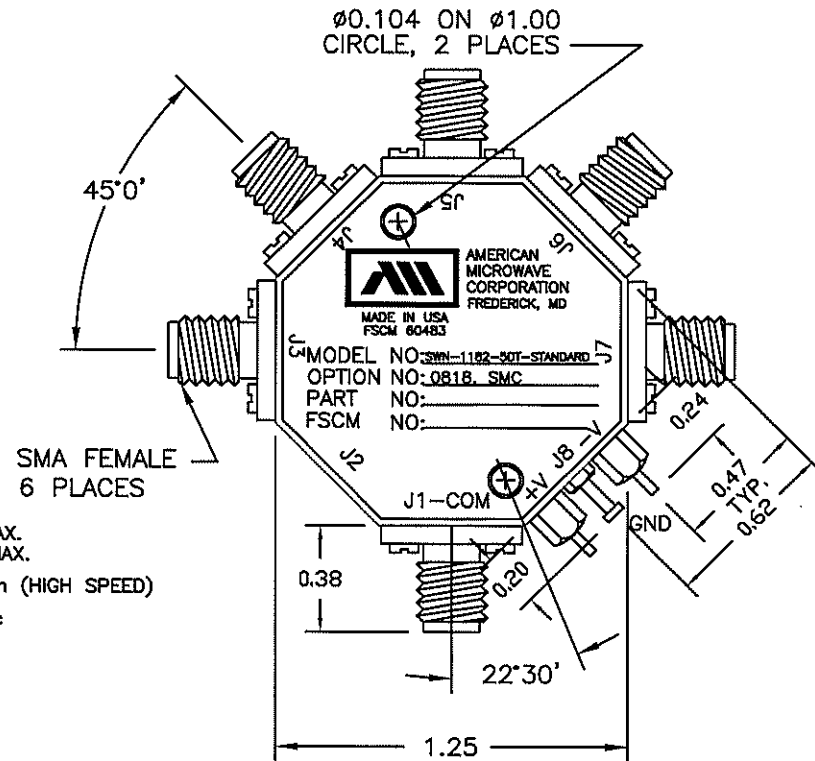
DESCRIPTION:

AMC MODEL SWN-1182-5DT-STANDARD OPTION 0818 & SMC IS A SINGLE POLE FIVE THROW SWITCH WITH SMA CONNECTORS AND SMC CONTROL CONNECTORS. IT HAS A FREQUENCY RANGE OF 0.8 TO 18GHz, 4.0dB MAXIMUM INSERTION LOSS, AND 70dB ISOLATION MINIMUM @ 18GHz.

ZONE		REV.	DESCRIPTION	DATE	APPROVED
		-	ORIGINAL RELEASE	10/8/07	<i>[Signature]</i>

SPECIFICATIONS:

- FREQUENCY: 0.8 GHz TO 18 GHz
- INSERTION LOSS: 4.0dB MAX.
- ISOLATION: 0.8 GHz TO 2 GHz: 60dB MIN.
2 GHz TO 18 GHz: 70dB MIN.
- VSWR: IN/OUT: 2.0:1
OUT/OFF: 2.0:1
- SPEED: RISE: 10ns TYPICAL, 15ns MAX.
FALL: 10ns TYPICAL, 15ns MAX.
DELAY ON: 75ns TYPICAL, 100ns MAX.
DELAY OFF: 75ns TYPICAL, 100ns MAX.
- POWER INPUT: (CW)+20dBm (STANDARD), +10 dBm (HIGH SPEED)
- SURVIVAL POWER: 1 WATT CW, 10 WATTS PEAK 1 usec
- CONTROL: TTL LOGIC "0"=ON "1"=OFF
- POWER SUPPLY: +5V @ 250 mA MAX.
-5V @ 100mA MAX.



ENVIRONMENTAL RATINGS:

- TEMPERATURE: -55°C TO +85°C (OPERATING)
-65°C TO +125°C (STORAGE)
- HUMIDITY: MIL-STD-202F, METHOD 103B COND. B
- SHOCK: MIL-STD-202F, METHOD 213B COND. B
- VIBRATION: MIL-STD-202F, METHOD 204D COND. B
- ALTITUDE: MIL-STD-202F, METHOD 105C COND. B
- TEMPERATURE CYCLE: MIL-STD-202F, METHOD 107D COND. A

ALL DIMENSIONS ARE IN INCHES

TOLERANCES:
X.XX ±0.020
X.XXX ±0.010

NOTE:

- DR=WITH DRIVER, REFLECTIVE
- DT=WITH DRIVER, NON-REFLECTIVE/ABSORPTIVE

NOTE: THE ABOVE SPECIFICATIONS ARE SUBJECT TO CHANGE OR REVISION

CONTRACT NO.		AMERICAN MICROWAVE CORPORATION FREDERICK, MARYLAND			
APPROVALS	DATE	TITLE			
<i>[Signature]</i>	10/8/07	PRODUCT FEATURE SWN-1182-5DT-STANDARD OPTION 0818, SMC NON-REFLECTIVE/ABSORPTIVE RADIAL SOLID STATE SWITCH			
DRAWN		SIZE	FSCM NO.	DWG NO.	REV.
<i>[Signature]</i>		A	60483	100-4183-3	-
CHECKED		SCALE N/S		SHEET	1 OF 3
<i>[Signature]</i>					
ISSUED					